



ENGINEERED SPLINES



PRODUCT OVERVIEW

Premier SIPS Engineered I-Beam Splines are designed and factory manufactured per project, offering strength for long span panel connections.

- Long lengths for fast install
- Fits factory cut pockets
- Large top chord for nailing
- Straight and true for easy install
- Environmentally responsible, less old-growth timber

ENGINEERED STRENGTH

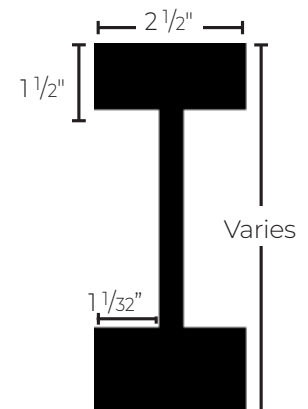
Premier SIPS I-Beam Splines (Type I Splines) are engineered panel connection methods for joining long span Premier Structural Insulated Panels for flush framing design. This engineered option is strong, economical, easy to apply, straight, environmentally sound, and provides positive attachment.

ADVANTAGES

- Dependable dimensions and tolerances
- No warping, twisting, or crowns
- Ease of handling and fast field insertion, reducing labor
- Cost-effective
- Limited thermal break

SPECIFICATIONS

The single OSB webbed I-Beam is available in depths of 9 1/4" and 11 1/4". I-Beams Splines as shown on plans and specifications will be engineered and factory manufactured with a Premier SIPS framing package.



INSTALLATION

Install engineered I-Beams Splines per Premier SIPS recommended installation guidelines. Refer to Premier SIPS Load Charts, Premier SIPS Resource Manual, and Technical Bulletins for proper design and applications.

Distributed in Canada By:



westecopanel.com

